

PARTS MANUAL

2150A-QB



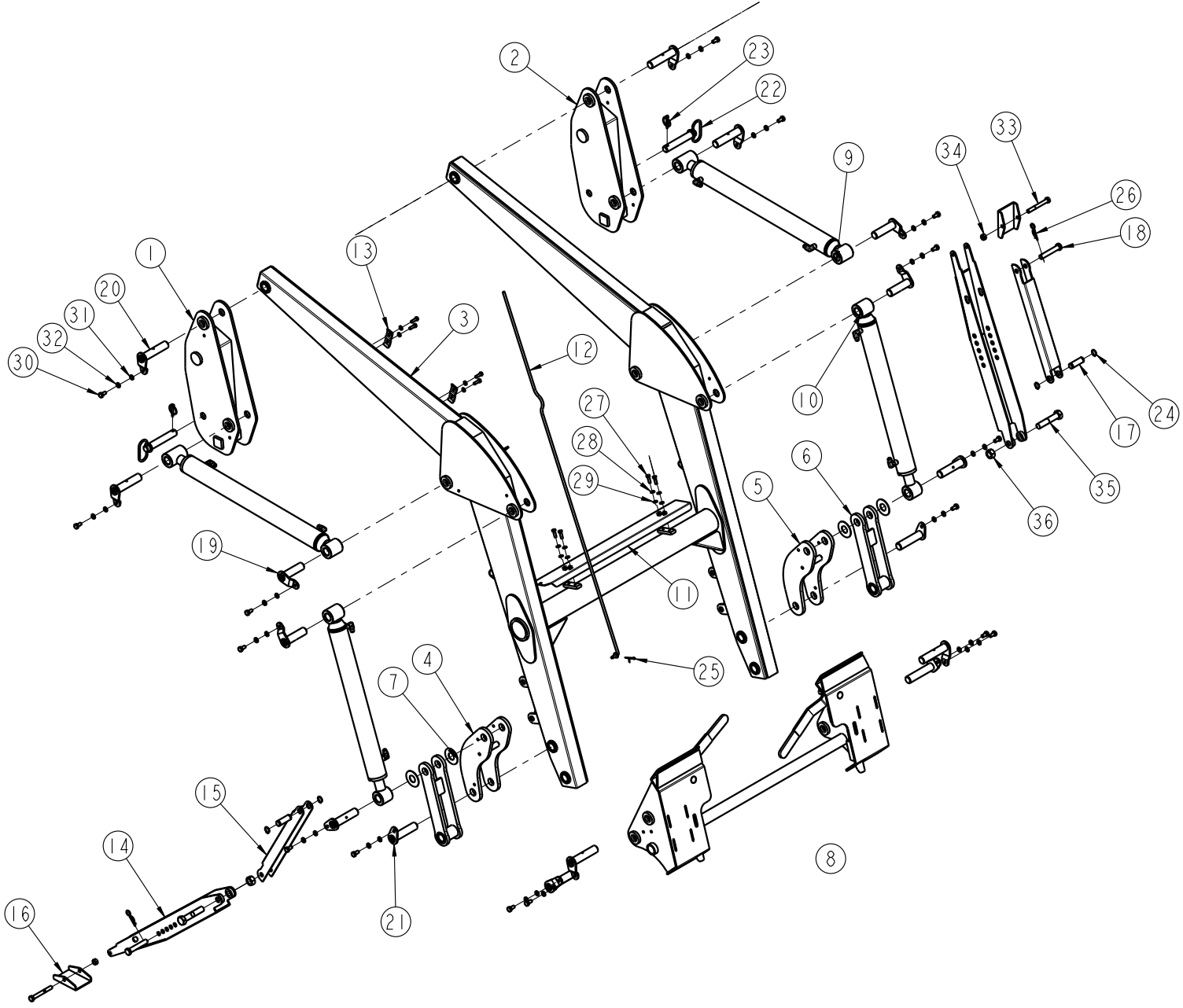
Front-End Loader

M12018
Printed 2012, 11, 27

Table of Contents

(2150A-QB)

Boom Assembly -----	2
Coupler Assembly -----	4
Bucket Assembly -----	6
Mounting Kit -----	8
Cylinder Assembly -----	10
Hydraulic Parts -----	12
Decal & Manual -----	14



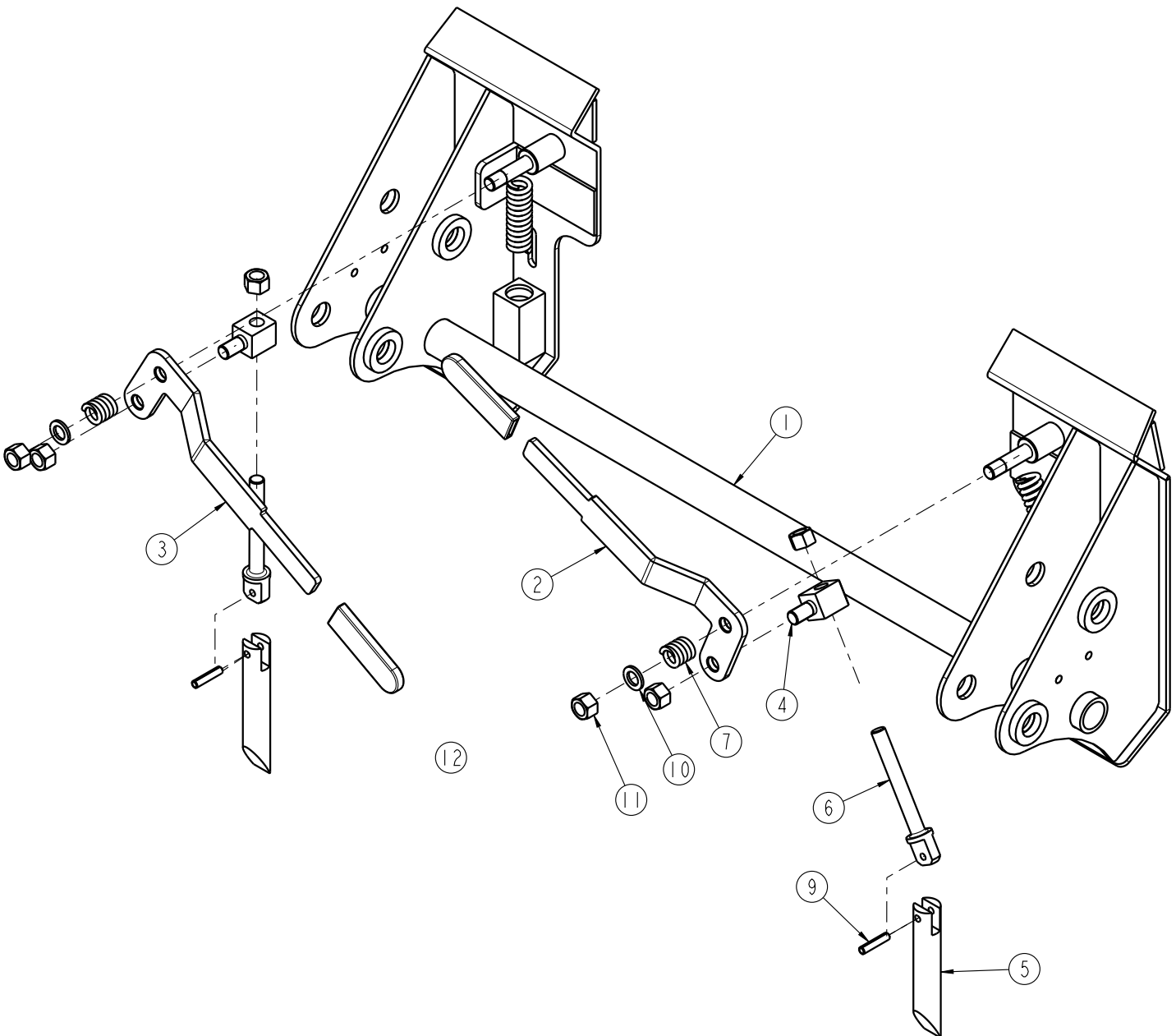
BOOM ASSEMBLY

BOOM ASSEMBLY

(P/N: 2150A)

NO.	PART NUMBER	PART NAME	DESCRIPTION	Q'TY	REMARK
1	2050A-3100	COLUMN, RH		1	
2	2050A-3200	COLUMN, LH		1	
3	2150A-0000	BOOM		1	
4	2050A-6000	BUCKET LINK RH.		1	
5	2050A-7000	BUCKET LINK LH.		1	
6	2150A-4100	ROD BUCKET		2	
7	2050A-4010	SHIM	1.6t	4	
8	B1000B-000B	COUPLER B/C		1	
9	2150A-8000	CYLINDER BOOM	∅60x∅35xST515x830L	2	
10	2150A-9000	CYLINDER BUCKET	∅60x∅35xST455x750L	2	
11	5570C-7010	COVER	2.3t	1	
12	S5570A-4500	INDICATOR ASSY		1	
13	ALN47-07-3100	COVER	4t	2	
14	S7085A-8100	STAND		2	
15	S7085A-8200	LINK-STD	4t	2	
16	S7085A-8400	SUPPORTER	4t	2	
17	S7085A-8520	PIN	∅20	2	
18	S7085A-8530	PIN	∅16x100L	2	
19	P28A-100A	PIN		4	
20	P28A-125A	PIN	∅28	8	
21	P28B-115A	PIN		4	
22	P25C-1230	PIN-LEVER	∅25	2	
23	AL20-98-9990	LINK PIN		2	
24	SN20M	SNAP RING	∅20	4	
25	PD03025	COTTER PIN	∅3x25L	1	
26	PR30045	R-PIN	∅3	2	
27	BH0855125Z	BOLT	M8x25L	8	
28	WS08M	SPRING WASHER	M8	8	
29	WP08M	PLAIN WASHER	M8	4	
30	BH1044150Z	BOLT(10.9T)	M10x20L	16	
31	WP10M	PLAIN WASHER	M10	16	
32	WS10M	SPRING WASHER	M10	16	
33	BH12K7175Z	BOLT(10.9T)	M12x100L	2	
34	NL12175Z	LOCK NUT	M12	2	
35	BH20K5250X	BOLT(10.9T)	M20x100L	2	
36	NL20250Z	LOCK NUT	M20	2	

COUPLER ASSEMBLY



B1000B-000B

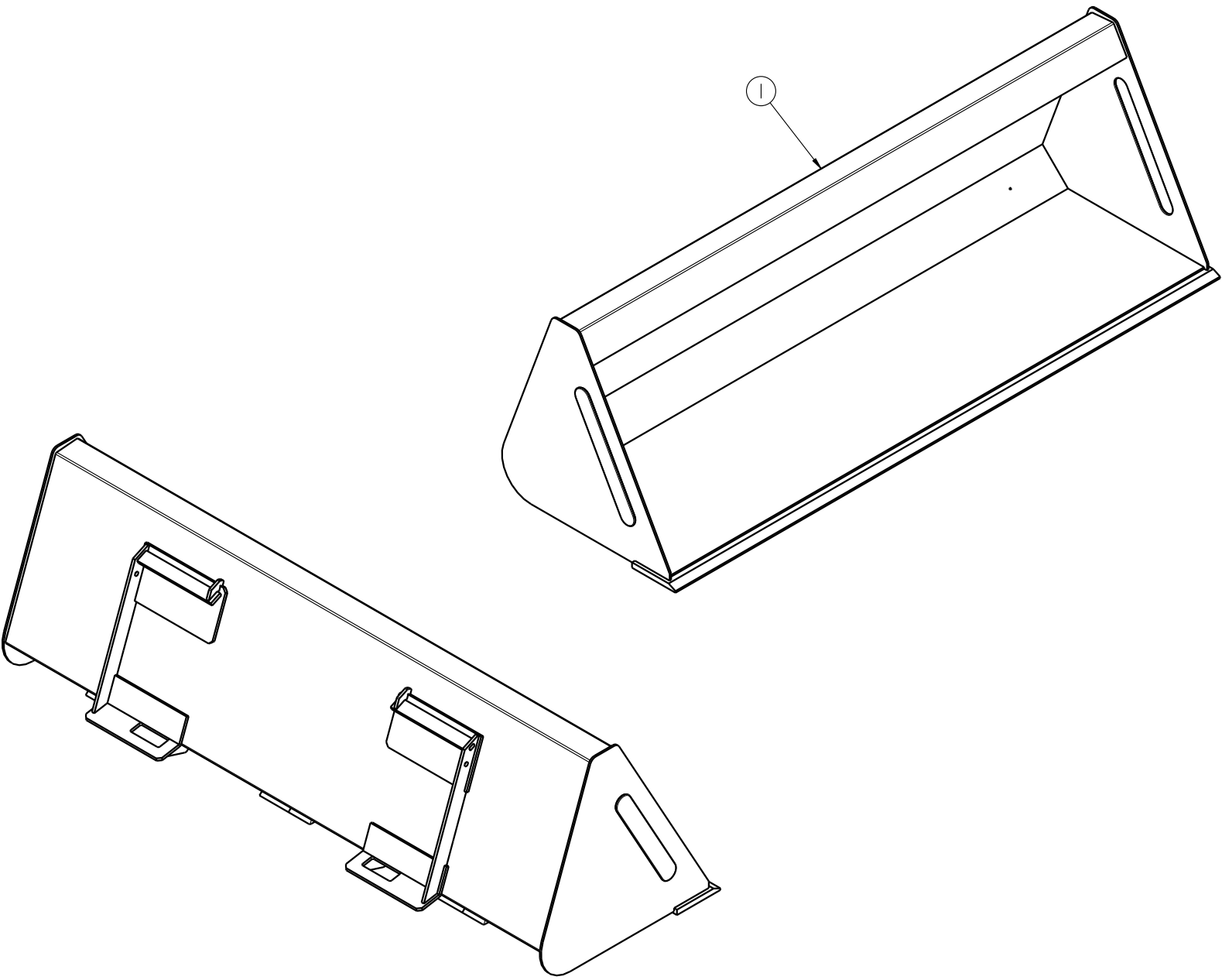
AT014.00-D01

COUPLER ASSEMBLY

(P/N: B1000B-000B)

NO.	PART NUMBER	PART NAME	DESCRIPTION	Q'TY	REMARK
1	B1000B-200E	COUPLER B/C		1	
2	B0945A-111B	LEVER RH.	8†	1	
3	B0945A-112B	LEVER LH.	8†	1	
4	B0945A-1210	PIN	30x30	2	
5	B0945A-1220	PIN	∅30	2	
6	B0945A-1230	PIN	∅30	2	
7	B0945A-1310	SPRING	∅5	2	
8	B0945A-132A	SPRING		2	
9	PS08040	SPRING PIN	∅8x40L	2	
10	WPI6M	PLAIN WASHER	M16	2	
11	NL16200Z	LOCK NUT	M16	6	
12	B0945A-0090	HANDLE		2	

BUCKET ASSEMBLY



LP58-02-0000

BK005.00-D01

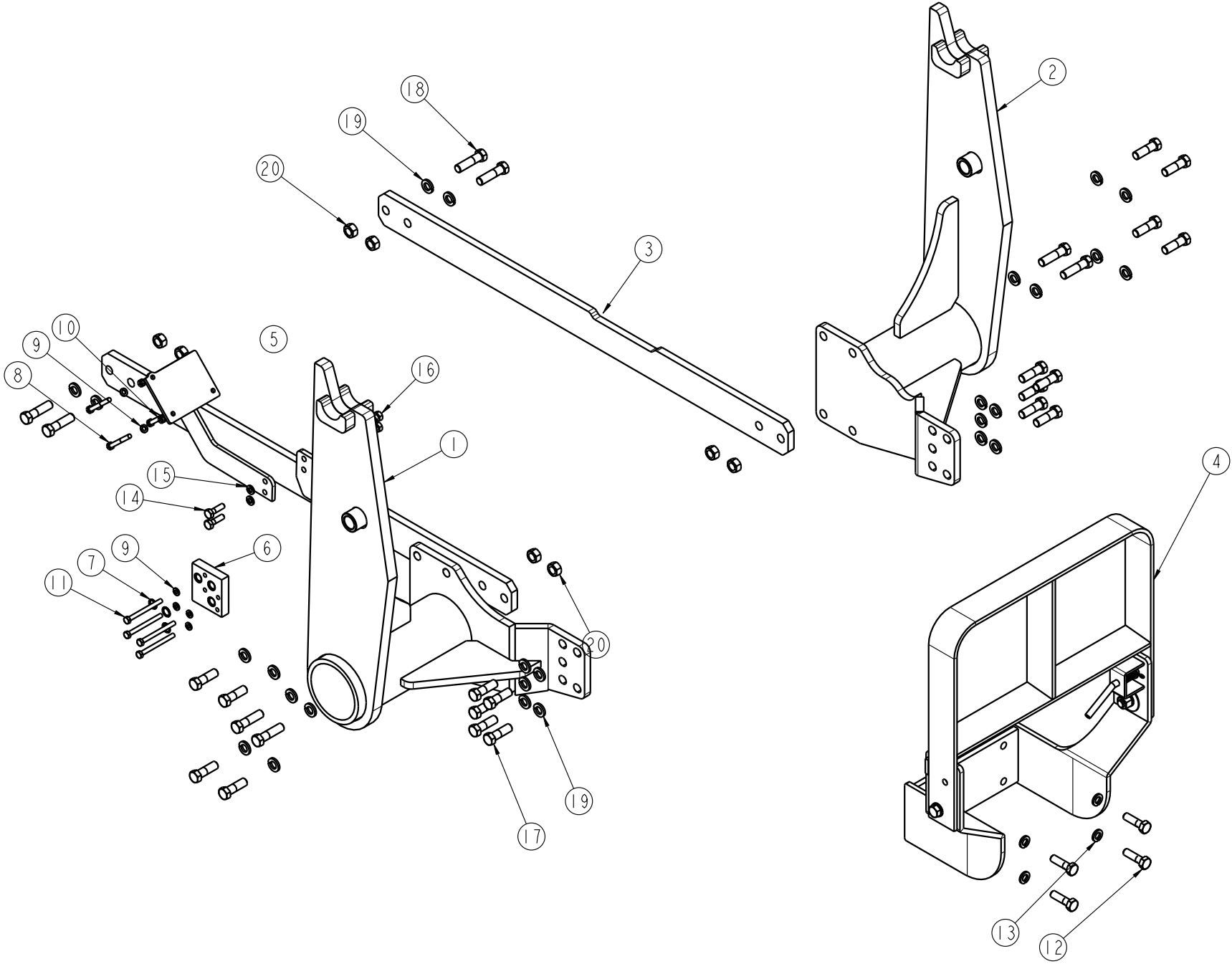
BUCKET ASSEMBLY

(P/N: LP58-02-0000)

NO.	PART NUMBER	PART NAME	DESCRIPTION	Q'TY	REMARK
1	LP58-02-0000	BUCKET ASSY	L=1880	1	

MXS100

MXS100.00-D01



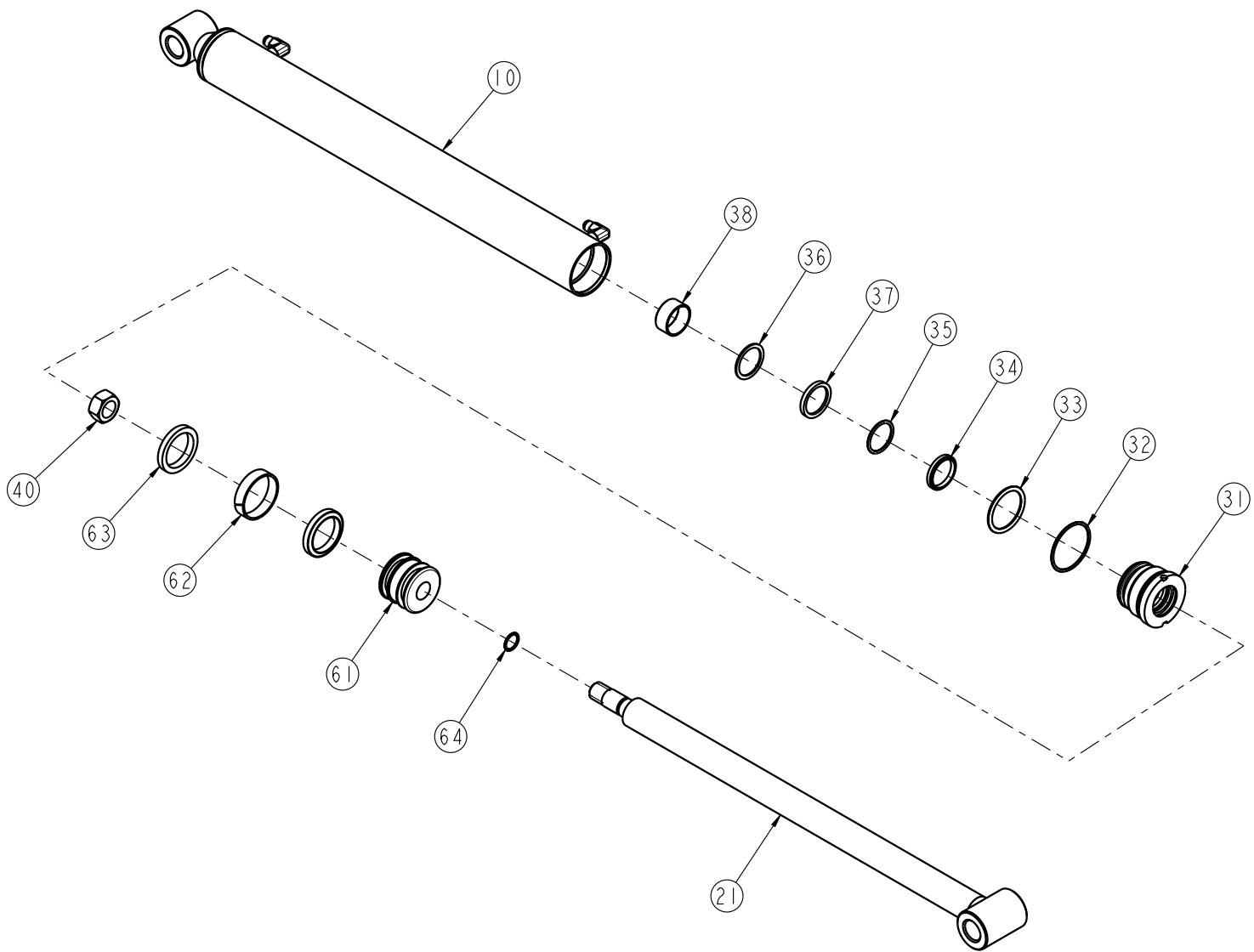
MOUNTING KIT

MOUNTING KIT

(P/N: MX5100)

NO.	PART NUMBER	PART NAME	DESCRIPTION	Q'TY	REMARK
1	MX5100-1100	SUB FRAME, RH		1	
2	MX5100-1200	SUB FRAME, LH		1	
3	MX5100-3100	BACK AXLE	16†	2	
4	MX5100-4000	BUMPER ASSY		1	
5	L2800B-8100	BRACKET-C/V		1	
6	L2800A-9900	BLOCK		1	
7	P16	O-RING	∅16	3	
8	BH08E6125Z	BOLT	M8x70L	3	
9	WS08M	SPRING WASHER	M8	7	
10	NH08125Z	NUT	M8	3	
11	BH0815125Z	BOLT	M8x90L	4	
12	BH14A7150Z	BOLT(10.9T)	M14x50Lx1.5P	4	
13	WS14M	SPRING WASHER	M14	4	
14	BH1075150Z	BOLT(10.9T)	M10x35L	2	
15	WS10M	SPRING WASHER	M10	2	
16	NH10150Z	NUT	M10	2	
17	BH16A6150Z	BOLT(10.9T)	M16x50Lx1.5P	18	
18	BH16C8200Z	BOLT(10.9T)	M16x60L	8	
19	WS16M	SPRING WASHER	M16	26	
20	NH16200Z	NUT	M16	8	

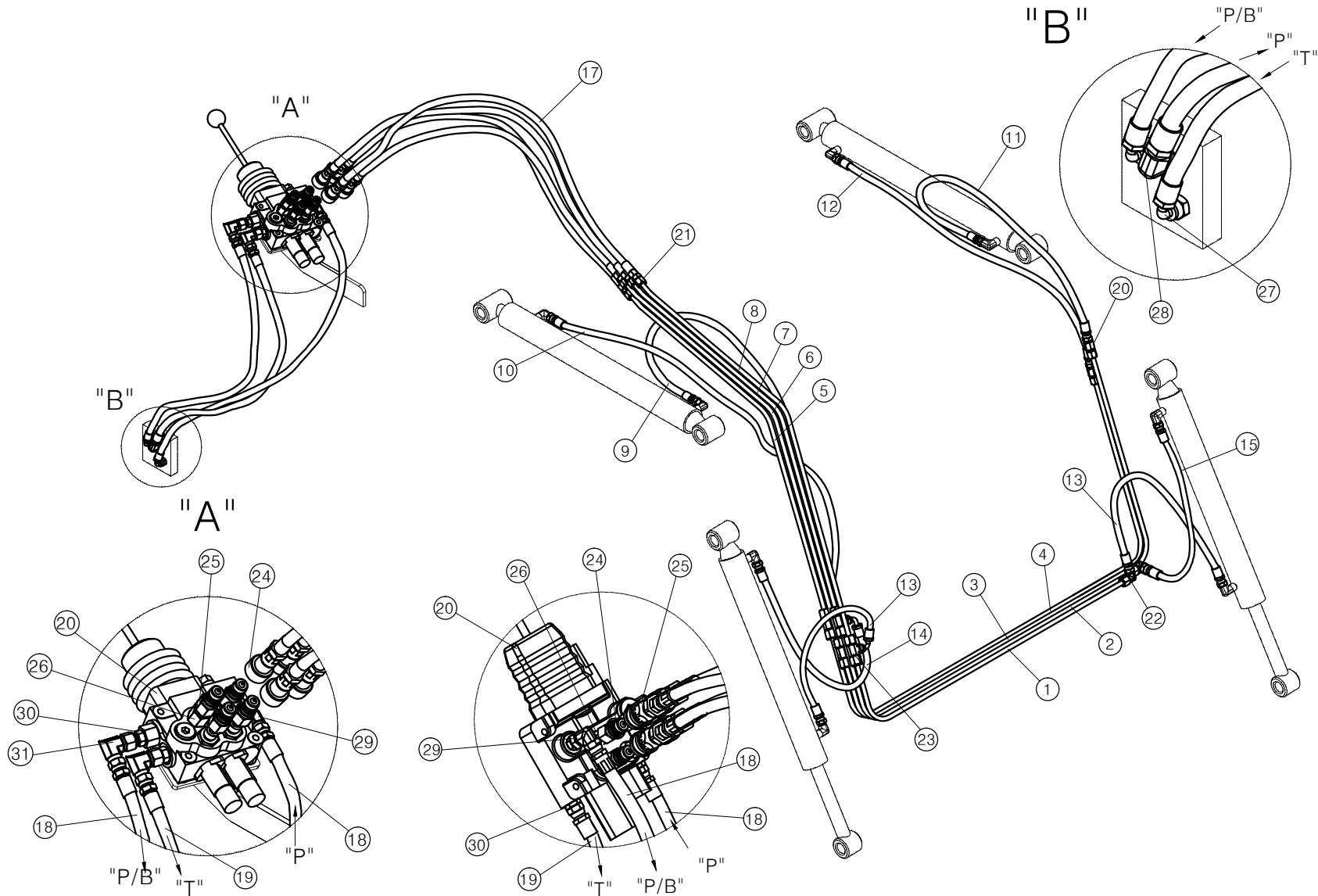
CYLINDER ASSEMBLY



CYLINDER

CYLINDER ASSEMBLY

NO.	PART NAME	PART NUMBER		Q'TY	REMARK
		BUCKET (2150A-9000)	BOOM (2150A-8000)		
10	TUBE	2150A-05-1210	2150A-05-2210	1	
21	ROD	2150A-05-1120	2150A-05-2110	1	
31	COVER ROD	CR6035 (AL191-05-2220)	CR6035 (AL191-05-2220)	1	
32	O-RING	1BG60	1BG60	2	
33	O-RING	1BP50A	1BP50A	2	
34	DUST SEAL	LBI 35x43x5/6.5	LBI 35x43x5/6.5	1	
35	O-RING	1BP35	1BP35	1	
36	U-PACKING	ISI 35x45x6	ISI 35x45x6	1	
37	BACK UP RING	BRT3 35x45x2	BRT3 35x45x2	1	
38	DU BUSH	DU3520 (AL191-05-2250)	DU3520 (AL191-05-2250)	1	
40	NUT	CY-M20 (AL191-05-1150)	CY-M20 (AL191-05-1150)	1	
61	PISTON	PI6035-W (AL191-05-2120)	PI6035-W (AL191-05-2120)	1	
62	WEAR-RING	WRW 60x55x15	WRW 60x55x15	1	
63	U-PACKING	ODI 60x45x9	ODI 60x45x9	1	
64	O-RING	1BP21	1BP21	1	
	SEAL KIT (Include 32,33,34,35 36,37,63,64)	SEAL 6035	SEAL 6035		



Besko Valve

Prince Valve

HYDRAULIC PARTS

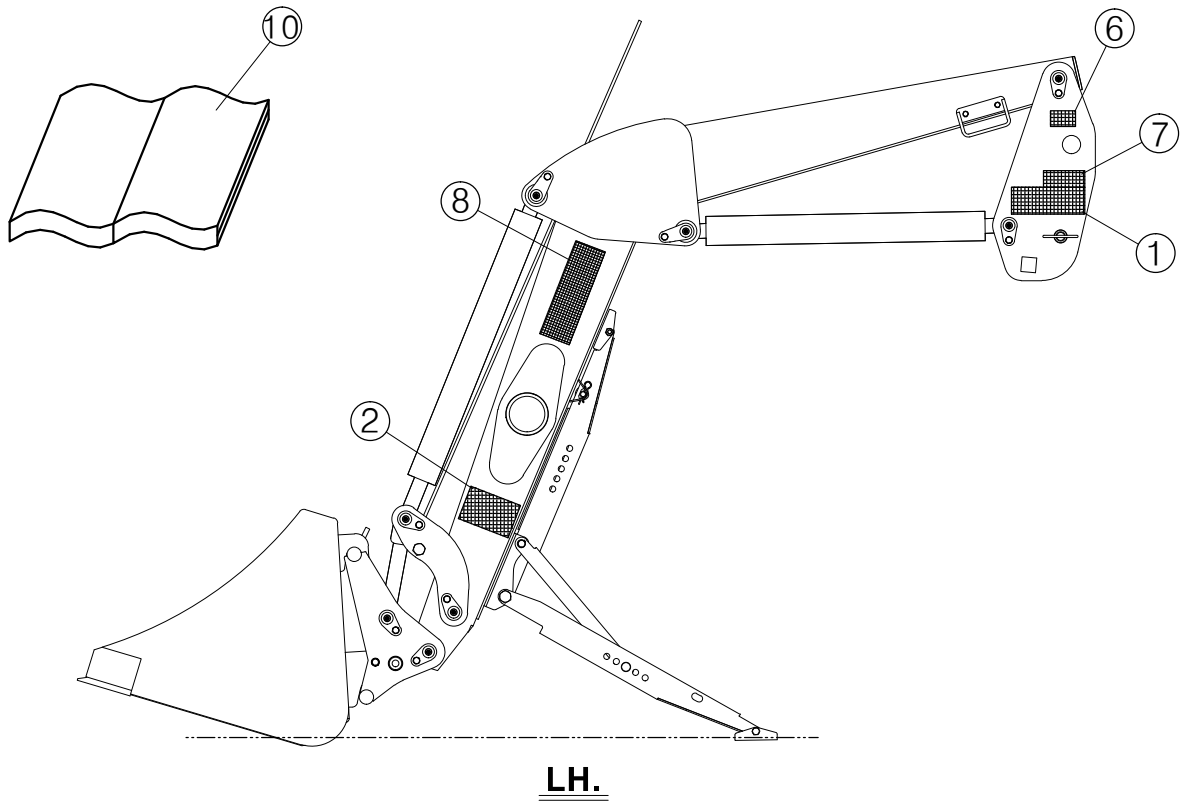
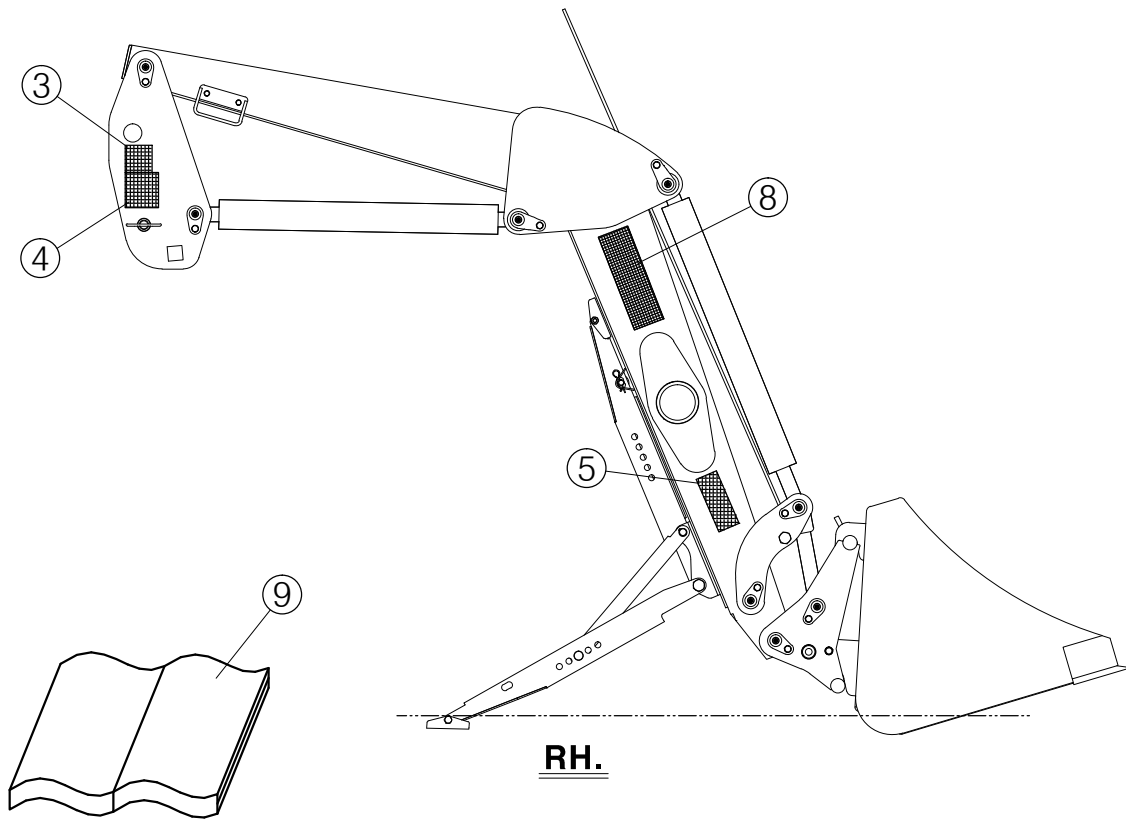
HYDRAULIC PARTS

NO.	PART NAME	PART NUMBER	Q'TY	REMARK
1	PIPE	2150A-07-1100	1	
2	PIPE	2150A-07-1200	1	
3	PIPE	2150A-07-1300	1	
4	PIPE	2150A-07-1400	1	
5	PIPE	2150A-07-1500	1	
6	PIPE	2150A-07-1600	1	
7	PIPE	2150A-07-1700	1	
8	PIPE	2150A-07-1800	1	
9	HOSE ASS'Y	5PG1-0240	1	
10	HOSE ASS'Y	5PG1-0850	1	
11	HOSE ASS'Y	5PG1-0460	1	
12	HOSE ASS'Y	5PG1-0960	1	
13	HOSE ASS'Y	5PG1-0830	1	
14	HOSE ASS'Y	5PG1-0360	1	
15	HOSE ASS'Y	5PG1-0730	1	
16	HOSE ASS'Y	5PG1-0560	1	
17	HOSE ASS'Y	3P81-1010	4	
18	HOSE ASS'Y	3P81-0750	2	
19	HOSE ASS'Y	3P81-0140	1	
20	CONTROL VALVE	17004	1	Dinoil Valve(~ 2011.02.07)
		HC-V-BM22	1	Prince Valve
		HDM03/2	1	Besko Valve
21	NIPPLE	ALK28-07-9800	6	
22	ELBOW NIPPLE	ALK28-07-9600	2	
23	TEE NIPPLE	ALK28-07-9900	4	
24	Q-COUPLER(M)	ALK 28-07-710A	4	
25	Q-COUPLER(F)	ALK 28-07-720A	4	
26	NIPPLE	AL25-07-940B	4	Besko Valve
		ALK28-07-791A	4	Prince Valve
27	NIPPLE	ALK28-07-9200	2	
28	ELBOW NIPPLE	ALK28-07-9500	1	
29	ELBOW NIPPLE	ALK28-07-781B	1	
30	O-RING NIPPLE	7860-07-7080	2	
31	SWIVEL ELBOW NIPPLE	S1600G-07-0010	2	

2150A-QB

HP030.00-T01

DECAL & MANUAL



DECAL & MANUAL

NO.	PART NAME	PART NUMBER	Q'TY	REMARK
1	DECAL	03L01	1	
2	DECAL	03L02	1	
3	DECAL	03L03	1	
4	DECAL	03L04	1	
5	DECAL	03L05	1	
6	DECAL	03L06	1	
7	DECAL	03L00	1	
8	DECAL	11L06	2	
9	OPERATOR'S MANUAL	M03L01	1	
10	PARTS MANUAL	M12018	1	